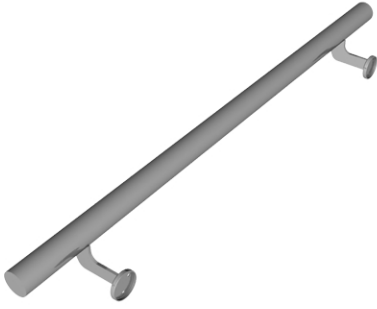
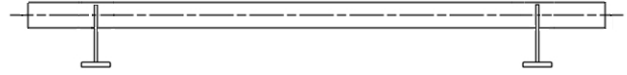
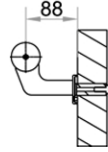


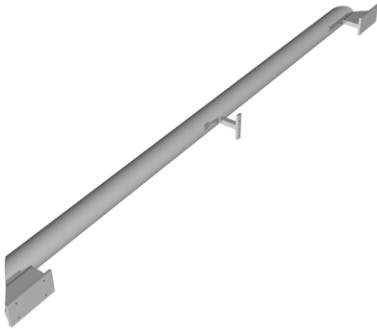
# HANDRAILS FOR CORRIDORS



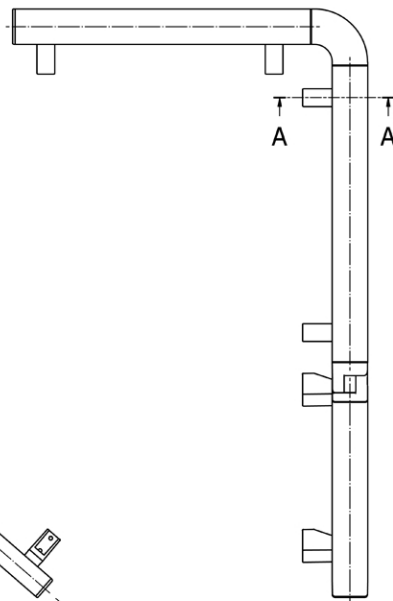
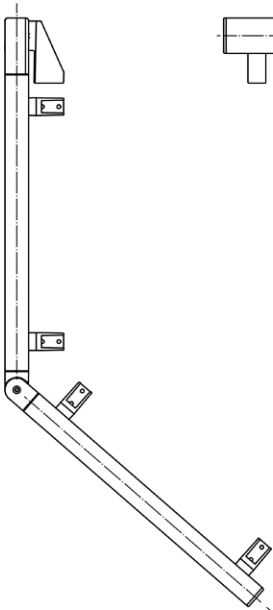
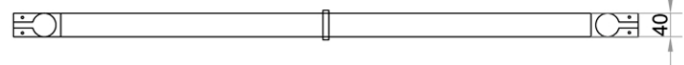
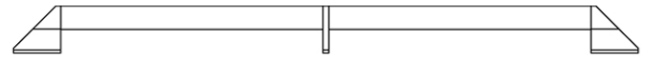
Product Code : 801.510.01  
Material: Stainless Steel  
Weight : ~4,1 kg/m



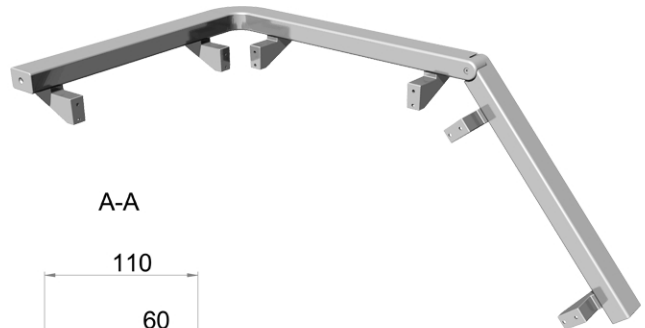
Product Code : 801.510.02  
Material: Aluminium  
Weight : ~2,2 kg/m



Product Code : 801.510.03  
Material: Aluminium  
Weight : ~2,3 kg/m



Product Code : 801.510.04  
Material: Aluminium  
Weight : ~1,6 kg/m



A-A

110

60

40