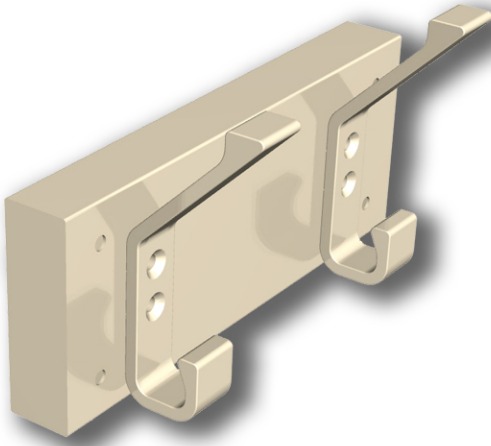
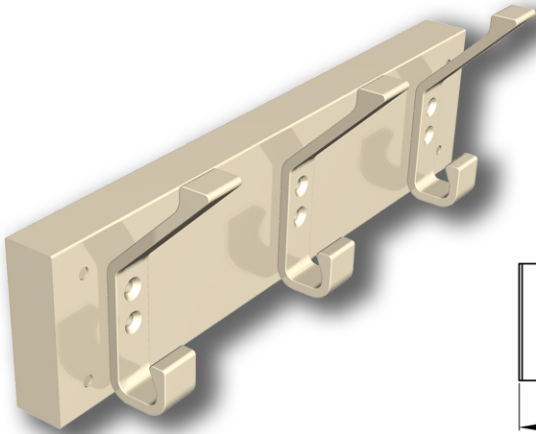
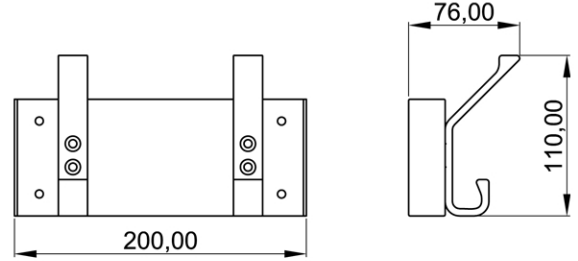


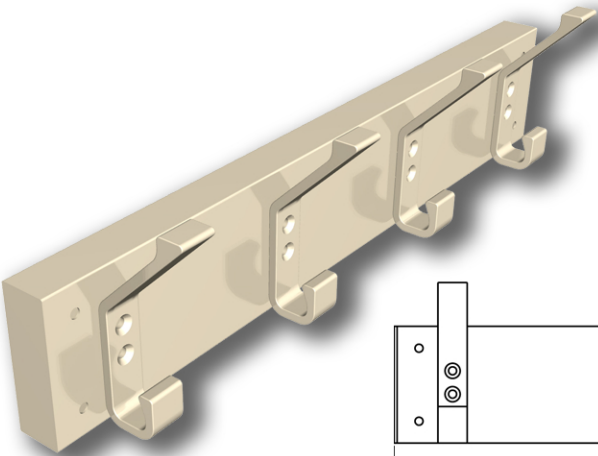
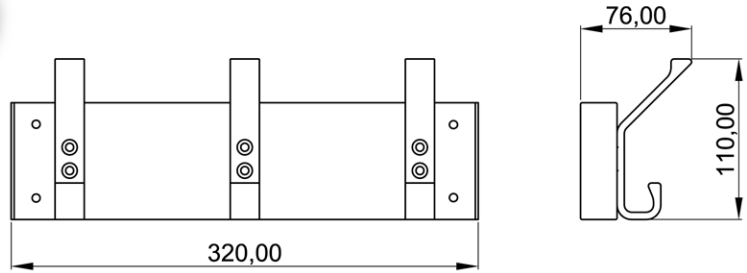
# COAT RACKS



**DOUBLE COAT RACK**  
Material: Aluminium  
Weight : 1,2 kg  
Product Code : 801.530.01



**TRIPLE COAT RACK**  
Material: Aluminium  
Weight : 1,6 kg  
Product Code : 801.530.02



**QUADRO COAT RACK**  
Material: Aluminium  
Weight : 2 kg  
Product Code : 801.530.03

